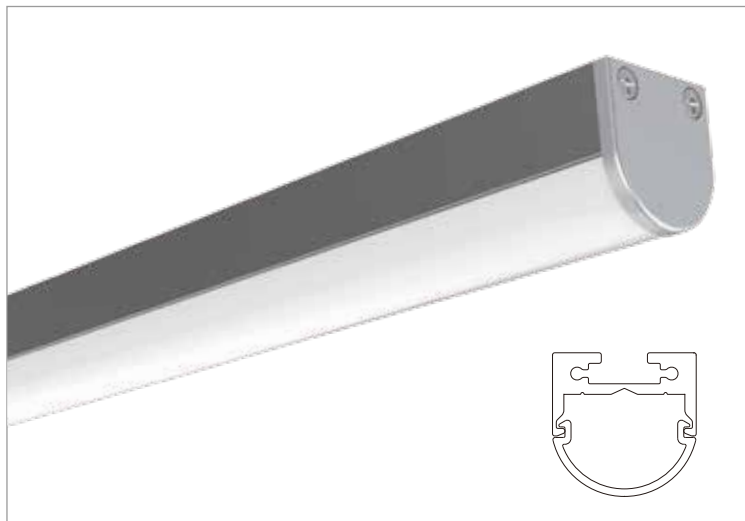


# LU20C

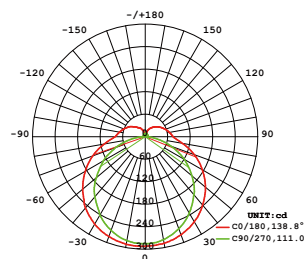


Luminous Flux : 1200LM  
 Power : 15W  
 CCT : 3000K, 4000K,6000K  
 CRI > 80  
 Beam Angle :120°  
 Input Voltage : 200-240V AC  
 Total Harmonic Distortion : <20%  
 Life Span : >50000Hrs(Ta=30°C@L70)  
 Operating Temperature : -30~+45°C  
 Storage Temperature : -40~+70°C  
 Junction Temperature(Tj) : <70°C(Ta=30°C)

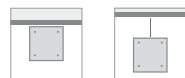
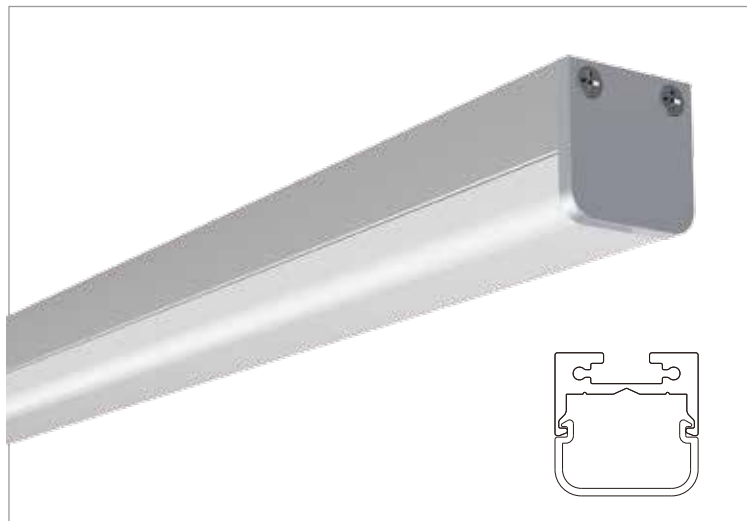
## LU20C Product Range

Model	LU20C-10-24	LU20C-10-SV
Luminous Flux	1920LM	1200LM
Power	24W	15W
Luminous Efficacy	80lm/W	80lm/W
CCT	3000K, 4000K, 6000K	
CRI	>80	
Beam Angle	120°	
Size	W:19*H:36*L:1000mm	
Input Voltage	12V	200-240V
IP Rating	IP40	
LED Driver	\	
Certifications	CE	

## Photometric Diagrams



# LU20G

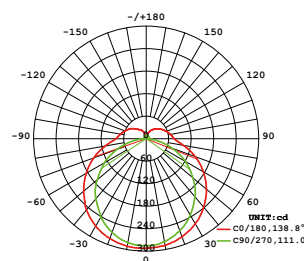


Luminous Flux : L1200M  
 Power : 15W  
 CCT : 3000K, 4000K,6000K  
 CRI > 80  
 Beam Angle :120°  
 Input Voltage : 200-240V AC  
 Total Harmonic Distortion : <20%  
 Life Span : >50000Hrs(Ta=30°C@L70)  
 Operating Temperature : -30~+45°C  
 Storage Temperature : -40~+70°C  
 Junction Temperature(Tj) : <70°C(Ta=30°C)

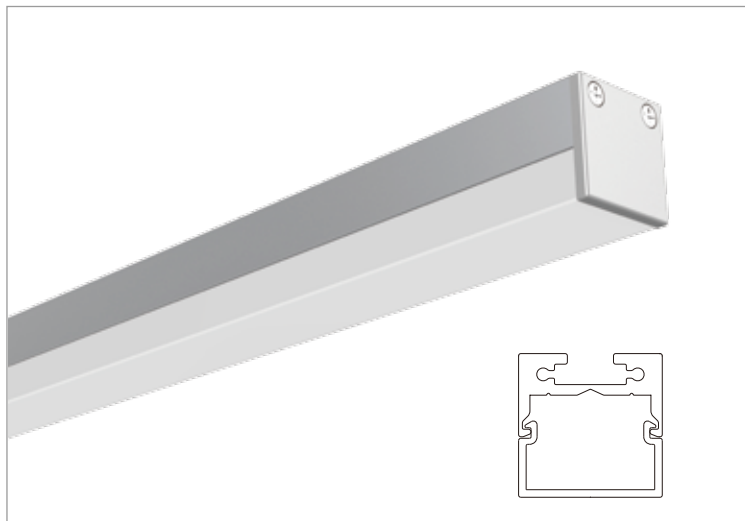
## LU20G Product Range

Model	LU20G-03-12	LU20G-06-12	LU20G-10-24	LU20G-10-SV
Luminous Flux	480LM	960LM	1920LM	1200LM
Power	6W	12W	24W	15W
Luminous Efficacy	80lm/W	80lm/W	80lm/W	80lm/W
CCT	3000K, 4000K, 6000K			
CRI	>80			
Beam Angle	120°			
Size	W:19*H:19*L:300mm	W:19*H:19*L:600mm	W:19*H:19*L:1000mm	W:19*H:19*L:1000mm
Input Voltage	12V	12V	24V	200-240V
IP Rating	IP40			
LED Driver	\			
Certifications	CE			

## Photometric Diagrams



# LU20K

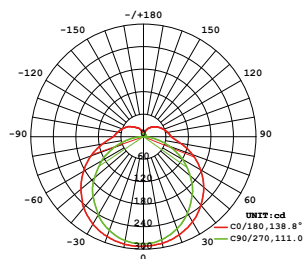


Luminous Flux : 1200LM  
 Power : 15W  
 CCT : 3000K, 4000K,6000K  
 CRI > 80  
 Beam Angle :120°  
 Input Voltage : 200-240V AC  
 Total Harmonic Distortion : <20%  
 Life Span : >50000Hrs(Ta=30°C@L70)  
 Operating Temperature : -30~+45°C  
 Storage Temperature : -40~+70°C  
 Junction Temperature(Tj) : <70°C(Ta=30°C)

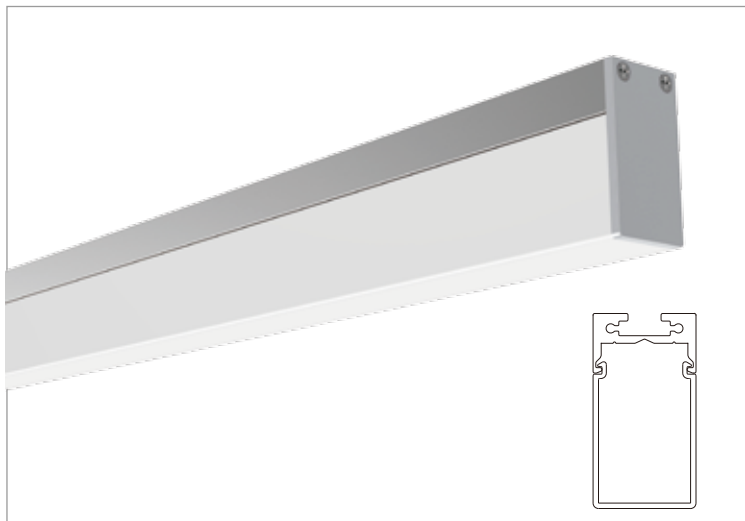
## LU20K Product Range

Model	LU20K-10-24	LU20K-10-SV
Luminous Flux	1920LM	1200LM
Power	24W	15W
Luminous Efficacy	80lm/W	80lm/W
CCT	3000K, 4000K, 6000K	
CRI	>80	
Beam Angle	120°	
Size	W:19*H:36*L:1000mm	
Input Voltage	12V	200-240V
IP Rating	IP40	
LED Driver	\	
Certifications	CE	

## Photometric Diagrams



# LU20P

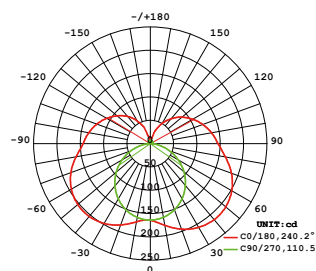


Luminous Flux : 1920LM  
 Power : 24W  
 CCT : 3000K, 4000K,6000K  
 CRI > 80  
 Beam Angle :175°  
 Input Voltage : 24V DC  
 Total Harmonic Distortion : <20%  
 Life Span : >50000Hrs(Ta=30°C@L70)  
 Operating Temperature : -30~+45°C  
 Storage Temperature : -40~+70°C  
 Junction Temperature(Tj) : <70°C(Ta=30°C)

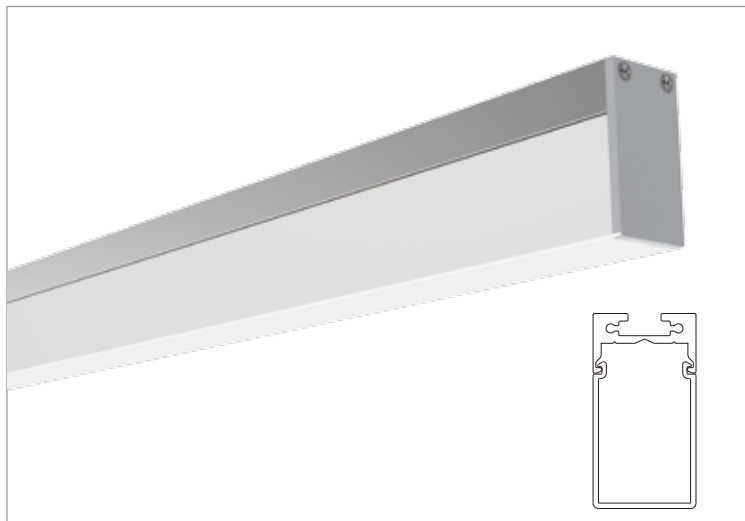
## LU20P Product Range

Model	LU20P-03-12	LU20P-06-12	LU20P-10-24
Lumen Output	240LM	960LM	1920LM
Power	6W	12W	24W
Luminous Efficacy	80lm/W	80lm/W	80lm/W
CCT	3000K, 4000K, 6000K		
CRI	>80		
Beam Angle	175°		
Size	W:19*H:36*L:300mm	W:19*H:36*L:600mm	W:19*H:36*L:1000mm
Input Voltage	12V	12V	24V
IP Rating	IP40		
LED Driver	\		
Certifications	CE		

## Photometric Diagrams



# LU20P

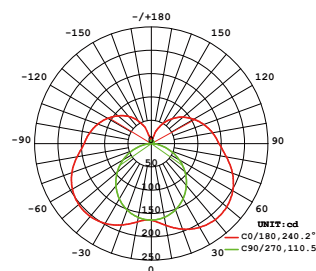


Luminous Flux : 1200LM  
 Power : 15W  
 CCT : 3000K, 4000K,6000K  
 CRI > 80  
 Beam Angle :175°  
 Input Voltage : 200-240V AC  
 Total Harmonic Distortion : <20%  
 Life Span : >50000Hrs(Ta=30°C@L70)  
 Operating Temperature : -30~+45°C  
 Storage Temperature : -40~+70°C  
 Junction Temperature(Tj) : <70°C(Ta=30°C)

## LU20P Product Range

Model	LU20P-03-SV	LU20P-06-SV	LU20P-10-24
Luminous Flux	300LM	640LM	1200LM
Power	5W	8W	15W
Luminous Efficacy	80lm/W	80lm/W	80lm/W
CCT	3000K, 4000K, 6000K		
CRI	>80		
Beam Angle	175°		
Size	W:19*H:36*L:300mm	W:19*H:36*L:600mm	W:19*H:36*L:1000mm
Input Voltage	200-240V		
IP Rating	IP40		
LED Driver	\		
Certifications	CE		

## Photometric Diagrams

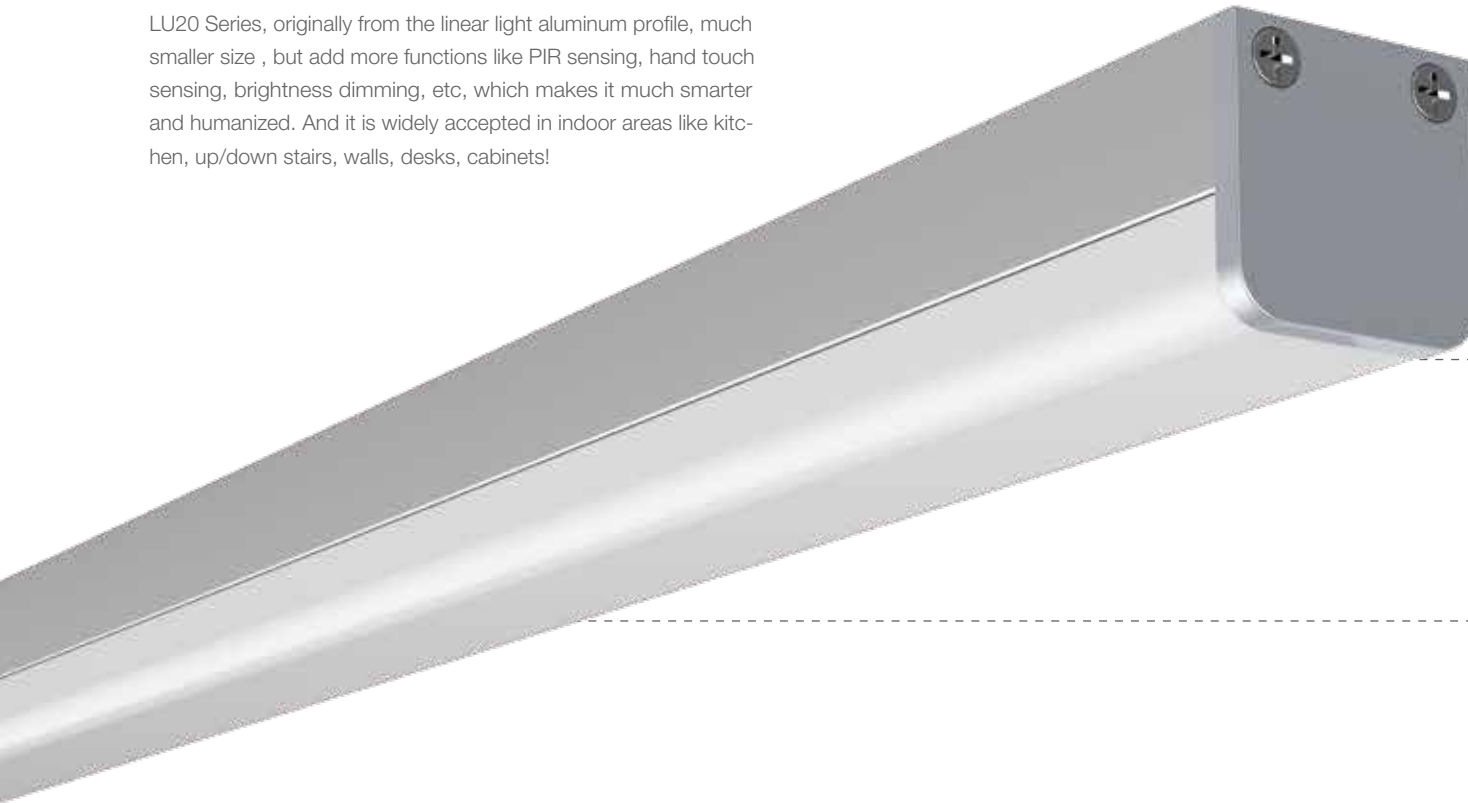


# LU20 SERIES

CL LIGHTING

## ► DESCRIPTIONS

LU20 Series, originally from the linear light aluminum profile, much smaller size, but add more functions like PIR sensing, hand touch sensing, brightness dimming, etc, which makes it much smarter and humanized. And it is widely accepted in indoor areas like kitchen, up/down stairs, walls, desks, cabinets!



### PC COVER

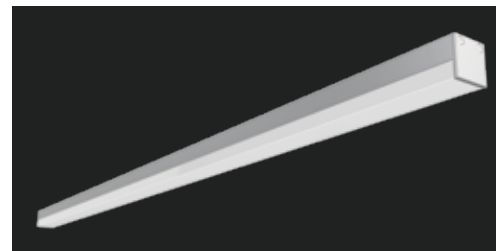
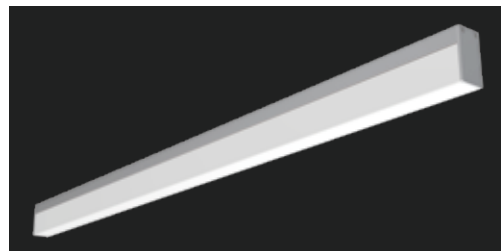
Adopt top quality material import from germany and japan, no hazardous substance, special optical design to make light more nature and no glare

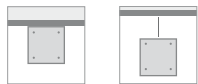
### ALUMINUM

Light body adopt aviation grade aluminum, light and durable, environment-friendly, fastness, surface covered with membranae, avoid scratch, oxidation resistance, no deformation

### SMD2835 LED

The led light source have passed lm80 test, long lasting lifespan, consistence color and brightness. patent light recipe, can better restore the color of the object





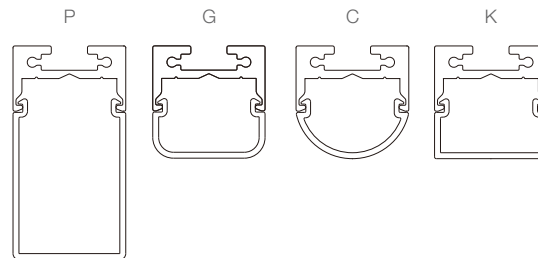
PERFORMANCE AT

SERIES	LENGTH	COMBINATION	LED CCT	VOLTAGE	BEAM ANGLE	LAMP BODY COLOR	DIMMING
LU20	0.3m/0.6m/1m Customizable	P	3000K	DC 12/24V Universal 220V - 240V	LU20P 175°	Silver	
		G	4000K		LU20G 120°		
		C	6000K		LU20C 120°		
		K			LU20K 120°		

LIGHT LOSS FACTORS

	BRAND NAME	LUMINOUS EFFICIENCY	CRI	USING THE ENVIRONMENT	WARRANTY PERIOD
BASELINE	CL LIGHTING	• Plane light 80lm/w	>Ra 80	LU20 Series, normally 1'-3' for indoor areas, flexible size widely applied to places like kitchen, downstairs, cabinet, drawers, even walls, it can be also regarded as home smart lighting decorative lightings	3 years

VARIOUS COMBINATIONS



LU20 Series, normally 1'~3' for indoor areas, flexible size widely applied to places like kitchen, downstairs, cabinet, drawers, even walls, it can be also regarded as home smart lighting decorative lightings