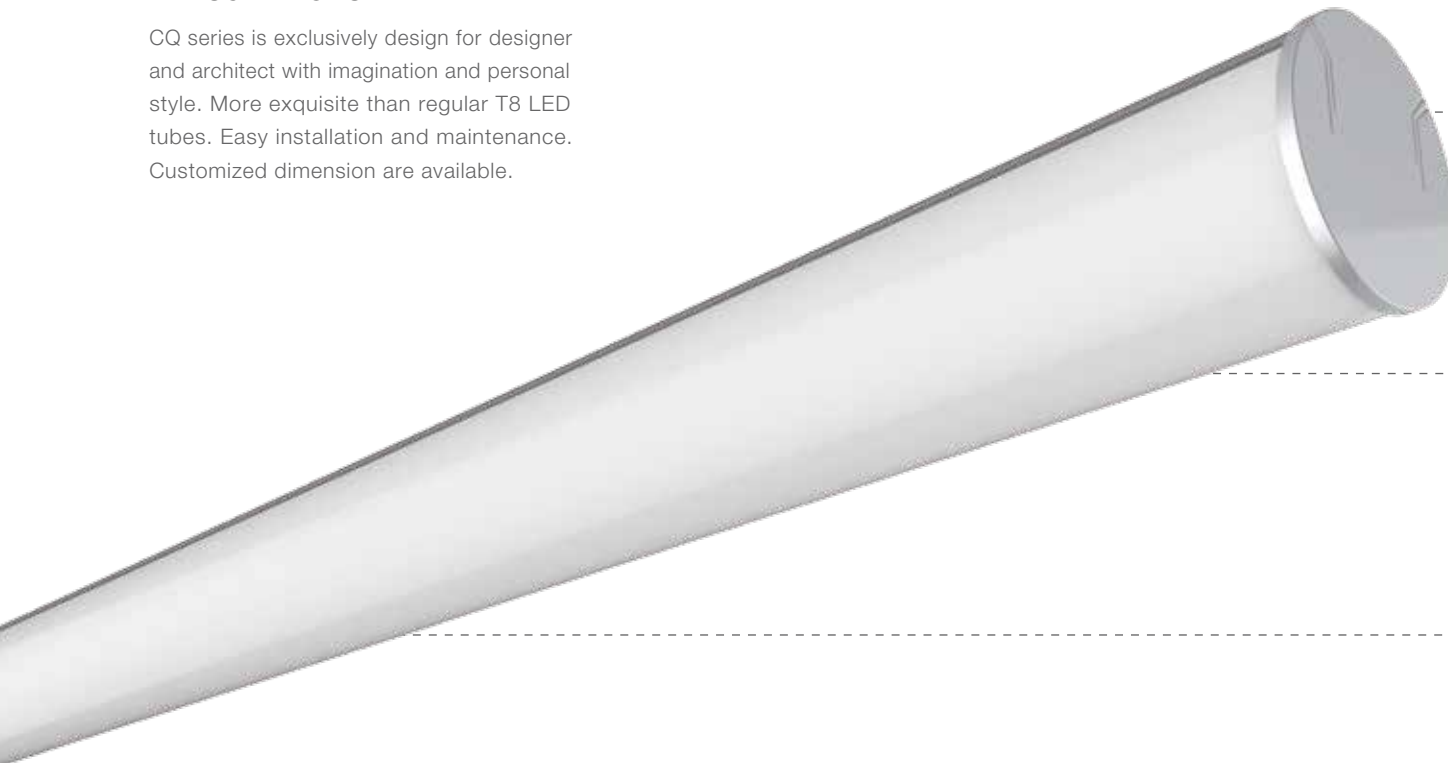


► DESCRIPTIONS

CQ series is exclusively design for designer and architect with imagination and personal style. More exquisite than regular T8 LED tubes. Easy installation and maintenance. Customized dimension are available.



PC COVER

Adopt top quality material import from germany and japan, no hazardous substance, special optical design to make light more nature and no glare

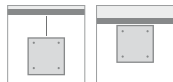
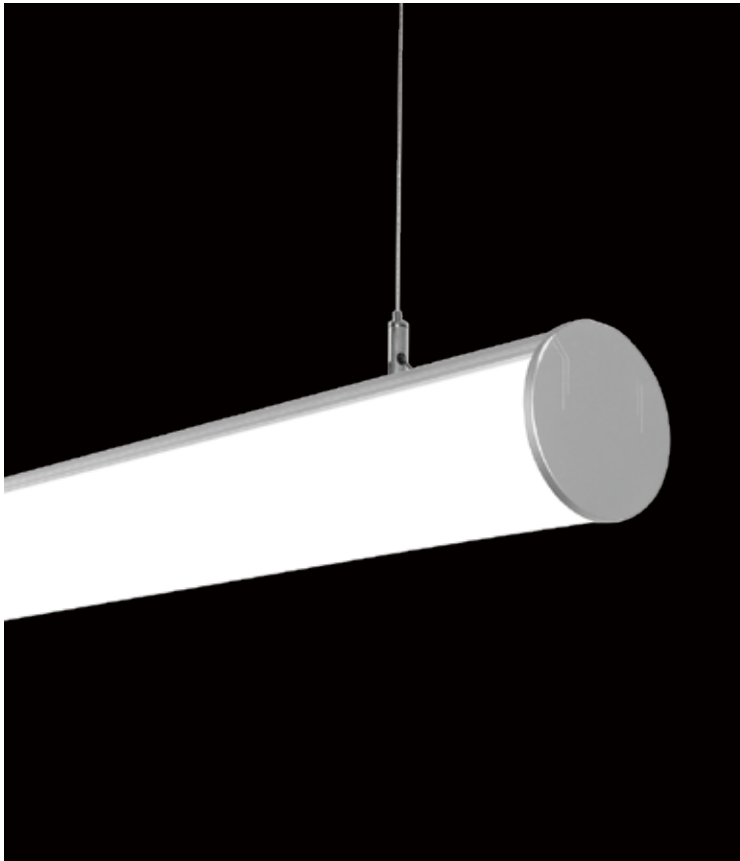
ALUMINUM

Light body adopt aviation grade aluminum, light and durable, environment-friendly, fastness, surface covered with membranae, avoid scratch, oxidation resistance, no deformation

SMD2835 LED

The led light source have passed lm80 test, long lasting lifespan, consistence color and brightness. patent light recipe, can better restore the color of the object





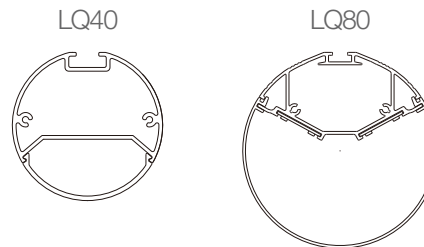
PERFORMANCE AT

SERIES	LENGTH	COMBINATION	LED CCT	VOLTAGE	BEAM ANGLE	LAMP BODY COLOR	DIMMING
CQ	1m/1.2m/1.5m	CQ40	3000K	100-277V	CQ40 120°	Silver	DALI
	Customizable	CQ80	4000K 6000K	Universal 220V - 240V	CQ80 160°		

LIGHT LOSS FACTORS

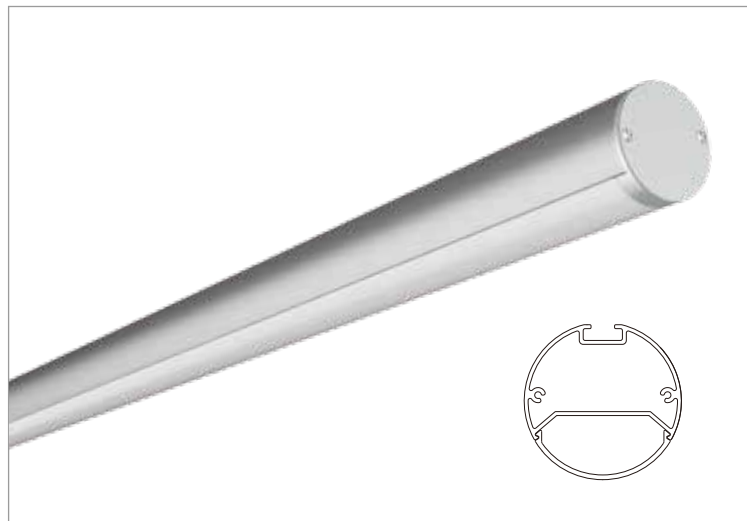
	BRAND NAME	LUMINOUS EFFICIENCY	CRI	USING THE ENVIRONMENT	WARRANTY PERIOD
BASELINE	CL LIGHTING	<ul style="list-style-type: none"> • CQ40 plane light 90lm/w • CQ80 plane light 100lm/w 	>Ra 80	CQ series widely used in office, shops, living room, metro station and commercial building.	3 years

VARIOUS COMBINATIONS



CQ series widely used in office, shops, living room, metro station and commercial building.

CQ40



CQ40 Product Range

Model	CQ40-10-WV	CQ40-12-WV	CQ40-15-WV
Luminous Flux	1800LM	2250LM	2700LM
Power	20W	25W	30W
Luminous Efficacy	90lm/W	90lm/W	90lm/W
CCT	3000K, 4000K, 6000K		
CRI	> 80		
Beam Angle	120°		
Size	D:40*L:1500mm	D:40*L:1500mm	D:40*L:1500mm
Input Voltage	100-265V		
IP Rating	IP40		
LED Driver	\		
Certifications	CE EMC		



Luminous Flux : 2700LM

Power : 30W

CCT : 3000K, 4000K,6000K

CRI > 80

Beam Angle :120°

Input Voltage : 100-265V AC

Total Harmonic Distortion : <20%

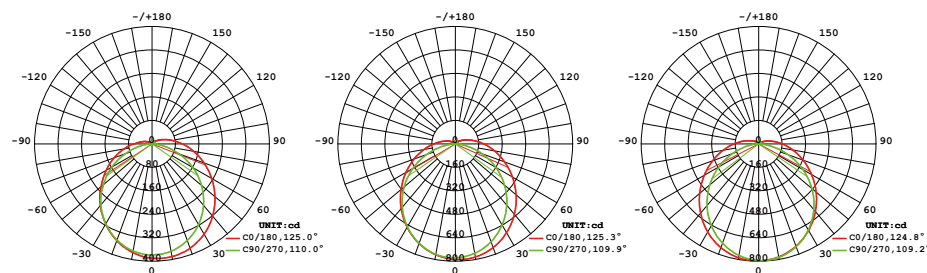
Life Span : >50000Hrs(Ta=30°C@L70)

Operating Temperature : -30~+45°C

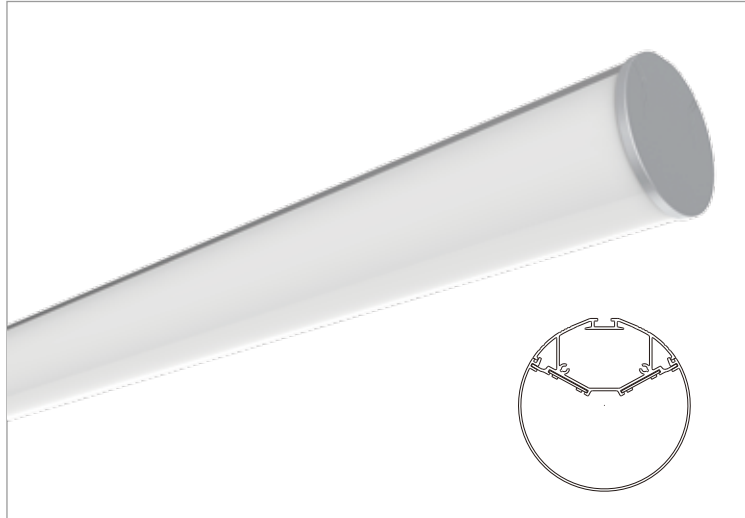
Storage Temperature : -40~+70°C

Junction Temperature(Tj) : <70°C(Ta=30°C)

Photometric Diagrams



CQ80



Luminous Flux : 5000LM
 Power : 50W
 CCT : 3000K, 4000K,6000K
 CRI > 80
 Beam Angle :160°
 Input Voltage : 200-240V AC
 Total Harmonic Distortion : <20%
 Life Span : >50000Hrs(Ta=30°C@L70)
 Operating Temperature : -30~+45°C
 Storage Temperature : -40~+70°C
 Junction Temperature(Tj) : <70°C(Ta=30°C)

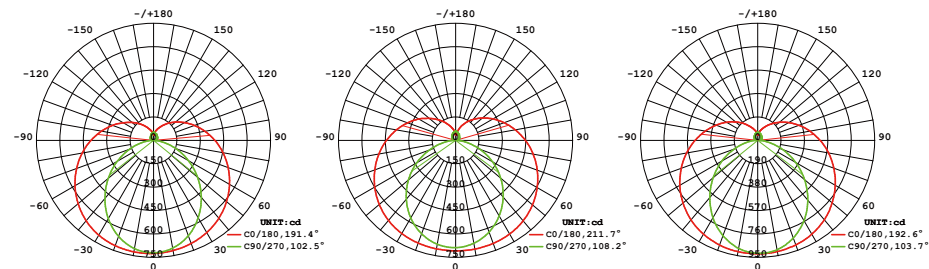
CQ80 Product Range

Model	CQ80-10-SV	CQ80-12-SV	CQ80-15-SV
Luminous Flux	4000LM	4500LM	5000LM
Power	40W	45W	50W
Luminous Efficacy	100lm/W	100lm/W	100lm/W
CCT	3000K, 4000K, 6000K		
CRI	>80		
Beam Angle	160°		
Size	D:80*L:1000mm	D:80*L:1200mm	D:80*L:1500mm
Input Voltage	200-240V		
IP Rating	IP40		
LED Driver	X-power		
Certifications	CE EMC		

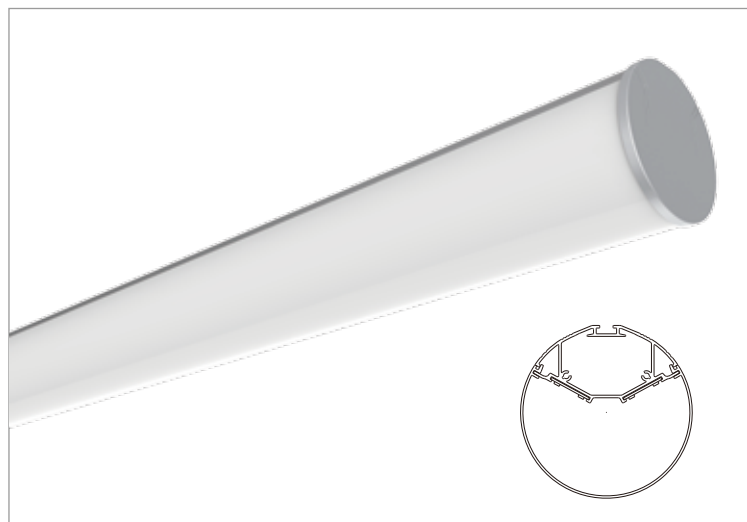
Control

DALI

Photometric Diagrams



CQ80



Luminous Flux : 5000LM
 Power : 50W
 CCT : 3000K, 4000K,6000K
 CRI > 80
 Beam Angle :160°
 Input Voltage : 100-277V AC
 Total Harmonic Distortion : <20%
 Life Span : >50000Hrs(Ta=30°C@L70)
 Operating Temperature : -30~+45°C
 Storage Temperature : -40~+70°C
 Junction Temperature(Tj) : <70°C(Ta=30°C)

CQ80 Product Range

Model	CQ80-10-WV	CQ80-12-WV	CQ80-15-WV
Luminous Flux	4000LM	4500LM	5000LM
Power	40W	45W	50W
Luminous Efficacy	100lm/W	100lm/W	100lm/W
CCT	3000K, 4000K, 6000K		
CRI	>80		
Beam Angle	160°		
Size	D:80*L:1000mm	D:80*L:1200mm	D:80*L:1500mm
Input Voltage	100-277V		
IP Rating	IP40		
LED Driver	X-power		
Certifications	CE EMC		

Control

DALI

Photometric Diagrams

