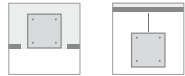
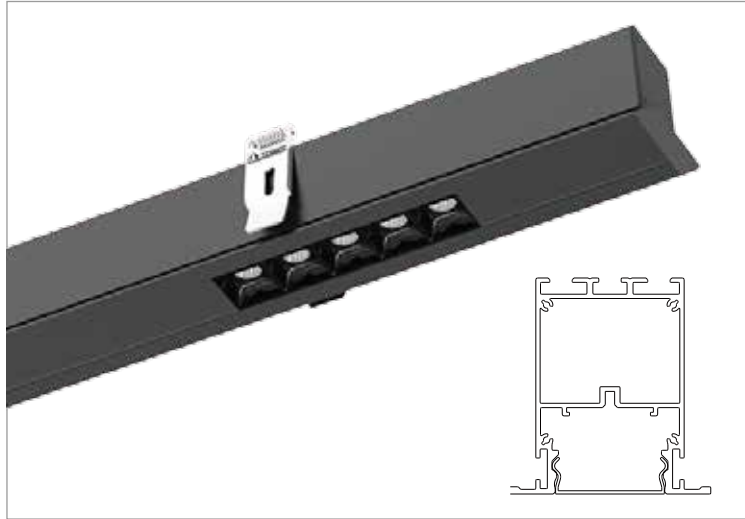


# CF40



Luminous Flux : 2600LM  
 Power : 40w  
 CCT : 3000K, 4000K  
 CRI > 80  
 Beam Angle : 10° 24° 36° 48°  
 Input Voltage : 220-240VAC  
 Total Harmonic Distortion : <20%  
 Life Span : >50000Hrs(Ta=30°C@L70)  
 Operating Temperature : -30~+45°C  
 Storage Temperature : -40~+70°C  
 Junction Temperature(Tj) : <70°C(Ta=30°C)

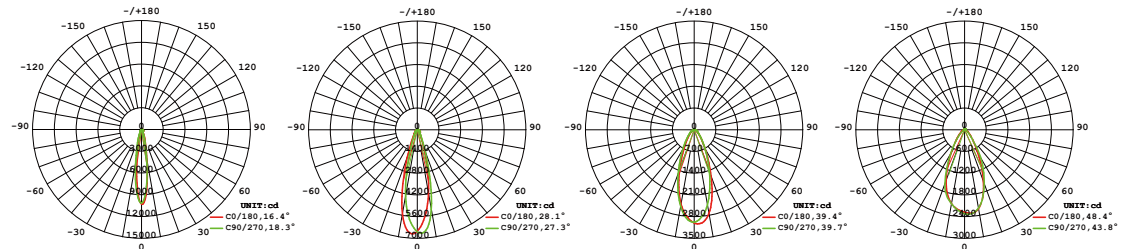
## CF40 Product Range

Model	CF40-10-2C	CF40-12-3C	CF40-15-4C
Luminous Flux	1300LM	1950LM	2600LM
Power	20W	30W	40W
Luminous Efficacy	65lm/W	65lm/W	65lm/W
CCT	3000K, 4000K		
CRI	>80		
Beam Angle	10° 24° 36° 48°		
Input Voltage	AC 220-240V (50/60Hz)		
IP Rating	IP40		
LED Driver	OSRAM X-power / Lifud		
Certifications	RoHS		

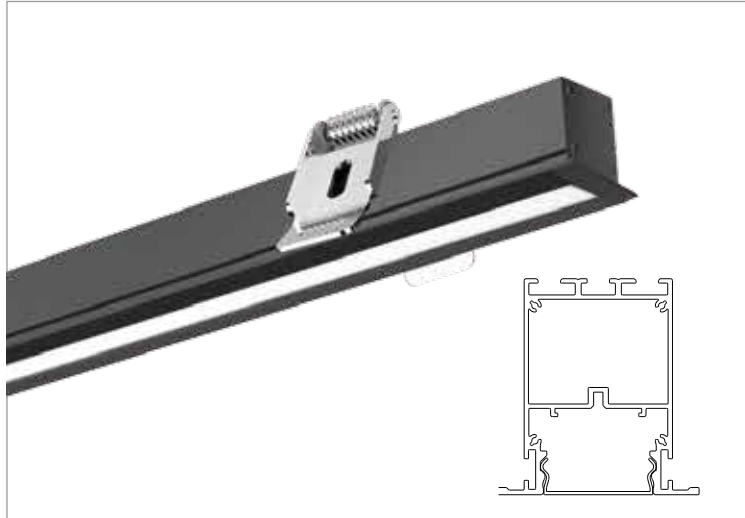
## Control

DALI

## Photometric Diagrams



# CF40



Luminous Flux : 4500LM  
 Power : 50w  
 CCT : 3000K, 4000K,6000K  
 CRI >80  
 Beam Angle : 100°  
 Input Voltage : 220-240VAC  
 Total Harmonic Distortion : <20%  
 Life Span : >50000Hrs(Ta=30°C@L70)  
 Operating Temperature : -30~+45°C  
 Storage Temperature : -40~+70°C  
 Junction Temperature(Tj) : <70°C(Ta=30°C)

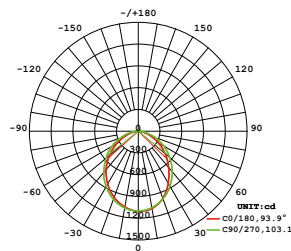
## CF40 Product Range

Model	CF40-10-F	CF40-12-F	CF40-15-F
Luminous Flux	2700LM	3600LM	4500LM
Power	30W	40W	50W
Luminous Efficacy	90lm/W	90lm/W	90lm/W
CCT	3000K, 4000K		
CRI	>80		
Beam Angle	100°		
Input Voltage	AC 220-240V (50/60Hz)		
IP Rating	IP40		
LED Driver	OSRAM X-power / Lifud		
Certifications	CE RoHs		

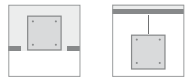
## Control

DALI

## Photometric Diagrams



# CF40



Luminous Flux : 1950LM  
 Power : 30W  
 CCT : 3000K, 4000K,6000K  
 CRI > 80  
 Beam Angle : 10° 24° 36° 48°  
 Input Voltage : 220-240VAC  
 Total Harmonic Distortion : <20%  
 Life Span : >50000Hrs(Ta=30°C@L70)  
 Operating Temperature : -30~+45°C  
 Storage Temperature : -40~+70°C  
 Junction Temperature(Tj) : <70°C(Ta=30°C)

## CF40 Product Range

Model	CF40-05	CF40-10	CF40-15
Luminous Flux	650LM	1300LM	1950LM
Power	10W	20W	30W
Luminous Efficacy	65lm/W	65lm/W	65lm/W
CCT	3000K, 4000K		
CRI	>80		
Beam Angle	10° 24° 36° 48°		
Input Voltage	AC 220-240V (50/60Hz)		
IP Rating	IP40		
LED Driver	OSRAM X-power / Lifud		
Certifications	CE RoHs		

## Control

DALI

## Photometric Diagrams

